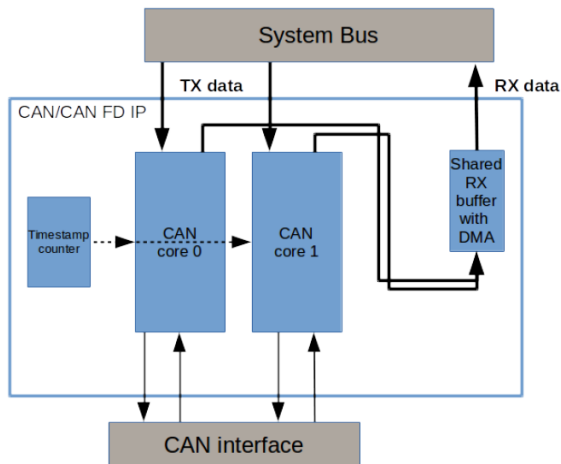


CAN/CAN FD IP Product Brief



In Short

CAN (Controller Area Network) is a multicast multimaster serial bus commonly used in automotive and industrial applications. The IP conforms to the CAN/CAN FD (Flexible Data-Rate) standard ISO 11898-1:2015 and is 100% compliant to the Bosch reference model. It supports standard CAN bus speeds between 1 kbit/s to 1Mbit/s and CAN FD data phase bit rates of up to 13.333 Mbit/s at 3 clock cycles per bit with a 40 MHz clock.

The IP may be configured to contain multiple CAN cores. These will share a receive buffer and timestamp counter, potentially saving precious resources. Data can be transferred to the host system either by reading the shared receive buffer, or using its low-latency DMA solution.

The IP is delivered as a system bus interfaceable core bundled with demo software to allow for easy integration. The bus type varies between platforms. It is also possible to directly interface the BSP (Bit Stream Processor) block. This is the core module of the IP, stripped of buffers and many features, thus making it very small. Approximate resource usage is 1,100 4-input LUTs and 330 registers.

Features

CAN FD, both ISO and non-ISO

CAN 2.0A and 2.0B

Small Footprint

System Bus Interface

Multiple Channels

Configurable Hardware Buffer Size

Status Updates in Data Stream

Interrupt Logic

Low-Latency DMA with Interrupt Rate Adaptation

Transmit Rate Adaptation

Timestamps

Listen Only-mode

Self-Listen-Mode

Auto Acknowledge Mode

Single Shot Mode

Separate System Bus and Core Clocks

Sample Build Sizes

The IP has been designed to have a small resource usage. Approximate build results for a few different settings are shown in the table below.

Setup	4-input LUTs	Registers
CAN core, RX buffer	2 400	1 200
CAN core, RX buffer with DMA	2 500	1 300
CAN core, RX buffer with DMA, Timestamps	2 700	1 600
CAN core, RX buffer with DMA, Timestamps, Bus synchronization	2 900	1 800



CAN/CAN FD IP Product Brief

Synective Labs - The FPGA Experts

Synective Labs is specializing in FPGA technology and FPGA based solutions with focus on high performance systems. Our offerings range from development of complete systems to assisting in our customers' development process, helping them to design better products. We operate in a wide range of technology fields like Automotive, Telecommunication and Image Processing where we have long experience and specific domain knowledge.



Synective Labs

Göteborg
+46-31-7607240

Linköping
+46-13-4651040

Stockholm
+46-8-53337400

www.synective.se